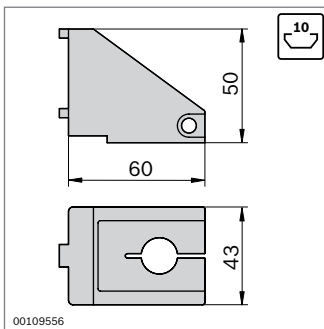
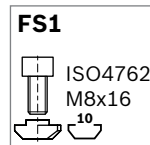
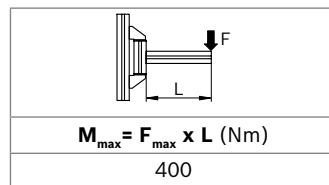


00109558



00109556



Bearing pedestal



designLINE

- ▶ Bearing pedestal for heavy constructions which are to be able to swiveled
- ▶ *designLINE* version with special silver paint (RAL 9006) for an attractive, high-quality design

4

Bearing pedestal	Slot	No.	FS
Standard	10	3 842 547 868	2xFS1
<i>designLINE</i>	10	3 842 547 869	2xFS1

Material:

- Standard: diecast zinc
- designLINE*: painted (RAL 9006)
- Fastening material: steel; galvanized
- Clamping lever handle: diecast zinc; black plastic coated
- Cover cap: PP, signal gray

Scope of delivery: incl. fastening material (FS), 2 x cover cap, 2 x bolt, clamping lever (and additional standard parts for clamping the bearing pedestal)