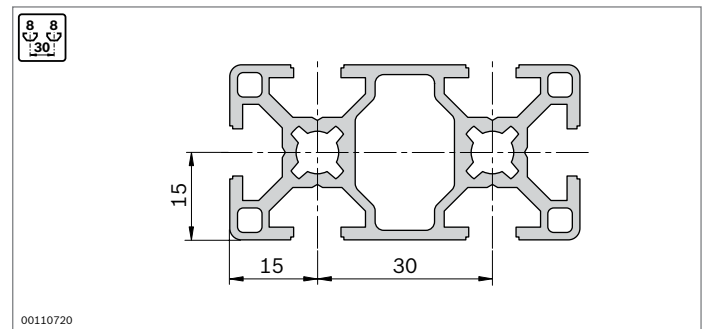
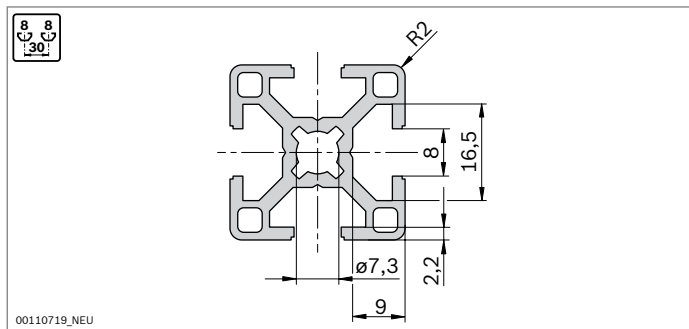


Strut profiles with 8 mm slot

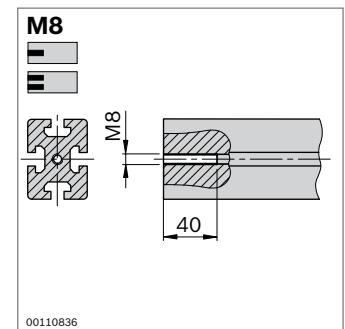
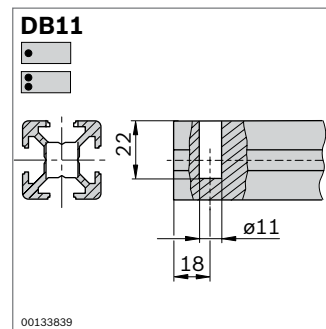
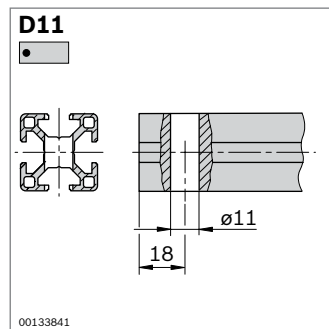
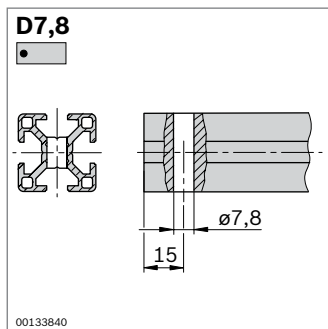
Strut profiles with a 8 mm slot are suitable for medium loads, such as material shuttles, light fixtures, frames and partition walls.

Profile 30x60x60 is suitable for constructing showcases and flow racks. Attractive covers and hoods can be designed with radius profiles.

Slot, modular dimensions, central bore



Profile finishing

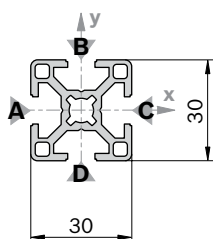


Minimum profile lengths (mm) for Quick & Easy standard profile finishing on one or both sides

	-	M8	D7.8	D11/DB11
-	50	50	50	50
M8	50	80	62	70
D7.8	50	62	60	50
D11/DB11	50	70	50	60

30x30

A = 3,1 cm²
 I_x = 2,8 cm⁴
 I_y = 2,8 cm⁴
 W_x = 1,8 cm³
 W_y = 1,8 cm³
 m = 0,9 kg/m



19178

Cover cap	Color	ESD	No.
30x30 (1x)	Signal gray		100 3 842 548 744
30x30 (1x)	Black		20 3 842 548 745

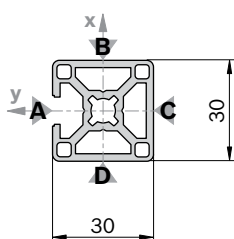
Material: PP

Cover cap with hole	Color	ESD	No.
30x30 (1x)	Signal gray		20 3 842 548 774
30x30 (1x)	Black		20 3 842 548 775

Material: PP

30x30 1N

A = 3,7 cm²
 I_x = 3,1 cm⁴
 I_y = 3,5 cm⁴
 W_x = 2,0 cm³
 W_y = 2,3 cm³
 m = 1,0 kg/m

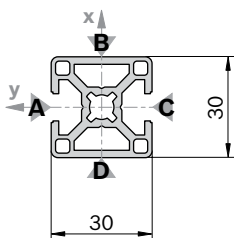


19179

Cover cap: See 30x30

30x30 2N

A = 3,5 cm²
 I_x = 2,8 cm⁴
 I_y = 3,5 cm⁴
 W_x = 2,1 cm³
 W_y = 2,7 cm³
 m = 1,0 kg/m



19180

Cover cap: See 30x30

30x30	L (mm)	No.
1 pcs	50 ... 5600	3 842 990 720 / L
1 pcs M8	50 ... 5600	3 842 990 721 / L
1 pcs M8	80 ... 5600	3 842 990 723 / L
1 pcs M8	70 ... 5600	3 842 990 724 / L
1 pcs D7,8	60 ... 5600	3 842 992 965 / L
1 pcs D11	50 ... 5600	3 842 990 722 / L
1 pcs D11	60 ... 5600	3 842 990 725 / L
1 pcs D11	60 ... 5600	3 842 990 726 / L
20 pcs	5600	3 842 509 178

Quick & Easy (p. 2-8, see fold-out section)

30x30	3 842 993 703 / ...
Length L (mm)	50 ... 5600
Standard profile finishing (note minimum length, p. 2-16)	M8 / D7.8 / D11 / DB11
Customized profile finishing (L _{max} = 4900 mm)	DI / DIS / MT / MTS / MI / MIS / DG ¹⁾

¹⁾ DG_{max} = 45°; L_{min1} / L_{min2} = 352 / 404 mm

30x30 1N	L (mm)	No.
1 pcs	50 ... 5600	3 842 992 397 / L
20 pcs	5600	3 842 506 948

Quick & Easy (p. 2-8, see fold-out section)

30x30 1N	3 842 993 704 / ...
Length L (mm)	50 ... 5600
Standard profile finishing (note minimum length, p. 2-16)	M8 / D7.8 / D11 / DB11
Customized profile finishing (L _{max} = 4900 mm)	DI / DIS / MT / MTS / MI / MIS / DG ¹⁾

¹⁾ DG_{max} = 45°; L_{min1} / L_{min2} = 352 / 404 mm

30x30 2N	L (mm)	No.
1 pcs	50 ... 5600	3 842 992 399 / L
20 pcs	5600	3 842 506 950

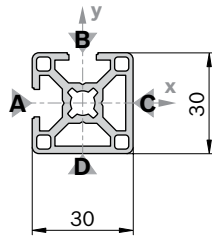
Quick & Easy (p. 2-8, see fold-out section)

30x30 2N	3 842 993 705 / ...
Length L (mm)	50 ... 5600
Standard profile finishing (note minimum length, p. 2-16)	M8 / D7.8 / D11 / DB11
Customized profile finishing (L _{max} = 4900 mm)	DI / DIS / MT / MTS / MI / MIS / DG ¹⁾

¹⁾ DG_{max} = 45°; L_{min1} / L_{min2} = 352 / 404 mm

30x30 2NVS

A = 3,5 cm²
 $I_x = 3,1 \text{ cm}^4$
 $I_y = 3,1 \text{ cm}^4$
 $W_x = 2,0 \text{ cm}^3$
 $W_y = 2,0 \text{ cm}^3$
 m = 1,0 kg/m



19181

Cover cap: See 30x30

30x30 2NVS		L (mm)	No.
1 pcs		50 ... 5600	3 842 992 398 / L
20 pcs		5600	3 842 506 949

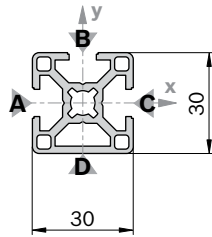
Quick & Easy (p. 2-8, see fold-out section)

30x30 2NVS		3 842 993 706 / ...
Length L (mm)	50 ... 5600	
Standard profile finishing (note minimum length, p. 2-16)	M8 / D7.8 / D11 / DB11	
Customized profile finishing ($L_{\max} = 4900 \text{ mm}$)	DI / DIS / MT / MTS / MI / MIS / DG ¹⁾	

¹⁾ $DG_{\max} = 45^\circ$; $L_{\min1} / L_{\min2} = 352 / 404 \text{ mm}$

30x30 3N

A = 3,3 cm²
 $I_x = 3,1 \text{ cm}^4$
 $I_y = 2,8 \text{ cm}^4$
 $W_x = 2,3 \text{ cm}^3$
 $W_y = 2,1 \text{ cm}^3$
 m = 0,9 kg/m



19182

Cover cap: See 30x30

30x30 3N		L (mm)	No.
1 pcs		50 ... 5600	3 842 992 400 / L
20 pcs		5600	3 842 506 951

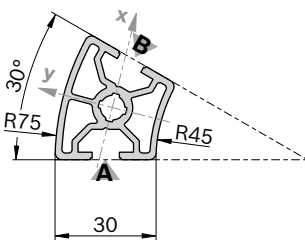
Quick & Easy (p. 2-8, see fold-out section)

30x30 3N		3 842 993 707 / ...
Length L (mm)	50 ... 5600	
Standard profile finishing (note minimum length, p. 2-16)	M8 / D7.8 / D11 / DB11	
Customized profile finishing ($L_{\max} = 4900 \text{ mm}$)	DI / DIS / MT / MTS / MI / MIS / DG ¹⁾	

¹⁾ $DG_{\max} = 45^\circ$; $L_{\min1} / L_{\min2} = 352 / 404 \text{ mm}$

30x30°

A = 3,7 cm²
 $I_x = 3,5 \text{ cm}^4$
 $I_y = 3,6 \text{ cm}^4$
 $W_x = 2,0 \text{ cm}^3$
 $W_y = 1,9 \text{ cm}^3$
 m = 1,0 kg/m



19183

30x30°		L (mm)	No.
1 pcs		50 ... 5600	3 842 993 010 / L
20 pcs		5600	3 842 524 031

Quick & Easy (p. 2-8, see fold-out section)

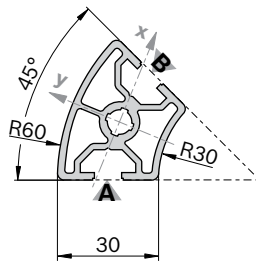
30x30°		3 842 993 708 / ...
Length L (mm)	50 ... 5600	
Standard profile finishing (note minimum length, p. 2-16)	M8	
Customized profile finishing	—	

Cover cap	Color	ESD		No.
30x30° (1x)	Signal gray		20	3 842 551 008
30x30° (1x)	Black		20	3 842 551 009

Material: PP

30x45°

A = 4,0 cm²
 I_x = 3,6 cm⁴
 I_y = 5,1 cm⁴
 W_x = 2,1 cm³
 W_y = 2,3 cm³
 m = 1,1 kg/m



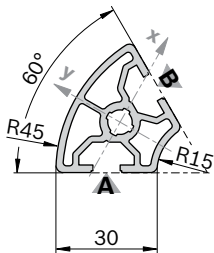
19184

Cover cap	Color	ESD	No.
30x45° (1x)	Signal gray		20 3 842 551 010
30x45° (1x)	Black		20 3 842 551 011

Material: PP

30x60°

A = 3,6 cm²
 I_x = 3,0 cm⁴
 I_y = 4,1 cm⁴
 W_x = 1,7 cm³
 W_y = 1,9 cm³
 m = 1,0 kg/m



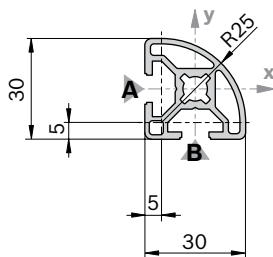
19185

Cover cap	Color	ESD	No.
30x60° (1x)	Signal gray		20 3 842 551 012
30x60° (1x)	Black		20 3 842 551 013

Material: PP

30x30 R

A = 2,9 cm²
 I_x = 2,3 cm⁴
 I_y = 2,3 cm⁴
 W_x = 1,4 cm³
 W_y = 1,4 cm³
 m = 0,8 kg/m



19186

Cover cap	Color	ESD	No.
30x30 R (1x)	Signal gray		20 3 842 548 776
30x30 R (1x)	Black		20 3 842 548 777

Material: PP

30x45°	L (mm)	No.
1 pcs	50 ... 5600	3 842 993 011 / L
20 pcs	5600	3 842 524 034

Quick & Easy (p. 2-8, see fold-out section)

30x45°	3 842 993 711 / ...
Length L (mm)	50 ... 5600
Standard profile finishing (note minimum length, p. 2-16)	M8
Customized profile finishing	—

30x60°	L (mm)	No.
1 pcs	50 ... 5600	3 842 993 012 / L
20 pcs	5600	3 842 524 037

Quick & Easy (p. 2-8, see fold-out section)

30x60°	3 842 993 714 / ...
Length L (mm)	50 ... 5600
Standard profile finishing (note minimum length, p. 2-16)	M8
Customized profile finishing	—

30x30 R	L (mm)	No.
1 pcs	50 ... 5600	3 842 992 896 / L
20 pcs	5600	3 842 517 198

Quick & Easy (p. 2-8, see fold-out section)

30x30 R	3 842 993 709 / ...
Length L (mm)	50 ... 5600
Standard profile finishing (note minimum length, p. 2-15)	M8 / DB11
Customized profile finishing	—

30x60

A = 5,5 cm²
 $I_x = 19,6 \text{ cm}^4$
 $I_y = 5,1 \text{ cm}^4$
 $W_x = 7,0 \text{ cm}^3$
 $W_y = 3,9 \text{ cm}^3$
 m = 1,5 kg/m

19187

Cover cap	Color	ESD	No.
30x30 (2x)	Signal gray	100	3 842 548 744
30x60 (1x)	Signal gray	20	3 842 548 780
30x30 (2x)	Black	20	3 842 548 745
30x60 (1x)	Black	20	3 842 548 781

Material: PP

Cover cap with hole	Color	ESD	No.
30x30 (2x)	Signal gray	20	3 842 548 774
30x30 (2x)	Black	20	3 842 548 775

Material: PP

30x60 4N

A = 5,8 cm²
 $I_x = 20,2 \text{ cm}^4$
 $I_y = 5,5 \text{ cm}^4$
 $W_x = 6,7 \text{ cm}^3$
 $W_y = 3,8 \text{ cm}^3$
 m = 1,6 kg/m

19188

Cover cap: See 30x60

30x60x60

A = 8,2 cm²
 $I_x = 26,2 \text{ cm}^4$
 $I_y = 26,2 \text{ cm}^4$
 $W_x = 7,6 \text{ cm}^3$
 $W_y = 7,6 \text{ cm}^3$
 m = 2,2 kg/m

19189

Cover cap	Color	ESD	No.
30x30 (3x)	Signal gray	100	3 842 548 744
30x30 (3x)	Black	20	3 842 548 745

Material: PP

30x60	L (mm)	No.
1 pcs	50 ... 5600	3 842 992 457 / L
1 pcs M8	50 ... 5600	3 842 992 458 / L
1 pcs M8	80 ... 5600	3 842 992 926 / L
1 pcs D11	50 ... 5600	3 842 992 459 / L
1 pcs D11	60 ... 5600	3 842 992 460 / L
1 pcs D11	60 ... 5600	3 842 992 463 / L
1 pcs D11	60 ... 5600	3 842 992 462 / L
10 pcs	5600	3 842 512 603

Profile finishing: M8: in all core holes
 D11: in slots B/F, C/E
 D11V: in slots A/D

Quick & Easy (p. 2-8, see fold-out section)

30x60	No.
30x60	3 842 993 712 / ...
Length L (mm)	50 ... 5600
Standard profile finishing (note minimum length, p. 2-16)	M8 / D7.8 / D11 / DB11
Customized profile finishing (L _{max} = 4900 mm)	DI / DIS / MT / MTS / MI / MIS / DG ¹⁾

¹⁾ DG_{max} = 45°; L_{min1} / L_{min2} = 404 / 508 mm

30x60 4N	L (mm)	No.
1 pcs	50 ... 6000	3 842 993 420 / L
10 pcs	6070	3 842 536 472

Quick & Easy (p. 2-8, see fold-out section)

30x60 4N	No.
30x60 4N	3 842 993 713 / ...
Length L (mm)	50 ... 6000
Standard profile finishing (note minimum length, p. 2-16)	M8 / D7.8 / D11 / DB11
Customized profile finishing (L _{max} = 5400 mm)	DI / DIS / MT / MTS / MI / MIS / DG ¹⁾

¹⁾ DG_{max} = 45°; L_{min1} / L_{min2} = 404 / 508 mm

30x60x60	L (mm)	No.
1 pcs	50 ... 5600	3 842 993 016 / L
20 pcs	5600	3 842 524 049

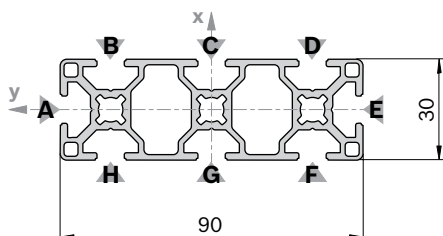
Quick & Easy (p. 2-8, see fold-out section)

30x60x60	No.
30x60x60	3 842 993 715 / ...
Length L (mm)	50 ... 5600
Standard profile finishing (note minimum length, p. 2-16)	M8 / D7.8 / D11 / DB11
Customized profile finishing (L _{max} = 4900 mm)	DI / DIS / MT / MTS / MI / MIS / DG ¹⁾

¹⁾ DG_{max} = 45°; L_{min1} / L_{min2} = 404 / 508 mm

30x90

A = 7,7 cm²
 I_x = 60,7 cm⁴
 I_y = 7,3 cm⁴
 W_x = 13,5 cm³
 W_y = 4,9 cm³
 m = 2,1 kg/m



19190

Cover cap	Color	ESD	No.
30x30 (3x)	Signal gray	100	3 842 548 744
30x30 (3x)	Black	20	3 842 548 745

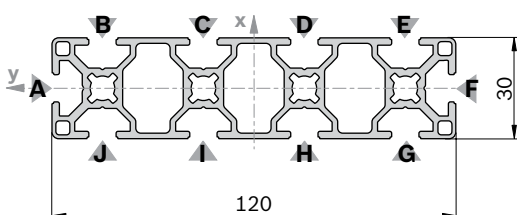
Material: PP

Cover cap with hole	Color	ESD	No.
30x30 (3x)	Signal gray	20	3 842 548 774
30x30 (3x)	Black	20	3 842 548 775

Material: PP

30x120

A = 9,9 cm²
 I_x = 136,3 cm⁴
 I_y = 9,6 cm⁴
 W_x = 22,7 cm³
 W_y = 6,4 cm³
 m = 2,7 kg/m



19191

Cover cap	Color	ESD	No.
30x30 (4x)	Signal gray	100	3 842 548 744
30x60 (2x)	Signal gray	20	3 842 548 780
30x30 (4x)	Black	20	3 842 548 745
30x60 (2x)	Black	20	3 842 548 781

Material: PP

Cover cap with hole	Color	ESD	No.
30x30 (4x)	Signal gray	20	3 842 548 774
30x30 (4x)	Black	20	3 842 548 775

Material: PP

30x90	L (mm)	No.
20 pcs	6070	3 842 541 937

Quick & Easy (p. 2-8, see fold-out section)

30x90	3 842 993 762 / ...
Length L (mm)	50 ... 6000
Standard profile finishing (note minimum length, p. 2-16)	M8 / D7,8 (B,C,D,F,G,H) ¹⁾ / D11 (B,C,D,F,G,H) ¹⁾ / DB11
Customized profile finishing (L _{max} = 5400 mm)	DI / DIS / MT / MTS / MI / MIS / DG ²⁾

¹⁾ For the specified slots

²⁾ DG_{max} = 45°; L_{min1} / L_{min2} = 150 / 150 mm

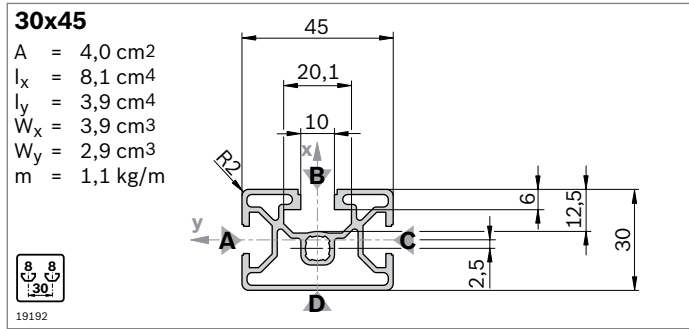
30x120	L (mm)	No.
20 pcs	6070	3 842 541 939

Quick & Easy (p. 2-8, see fold-out section)

30x120	3 842 993 763 / ...
Length L (mm)	50 ... 6000
Standard profile finishing (note minimum length, p. 2-16)	M8 / D7.8 (B,C,D,E, G,H,I,J) ¹⁾ / D11 (B,C,D,E, G,H,I,J) ¹⁾ / DB11
Customized profile finishing (L _{max} = 5400 mm)	DI / DIS / MT / MTS / MI / MIS / DG ²⁾

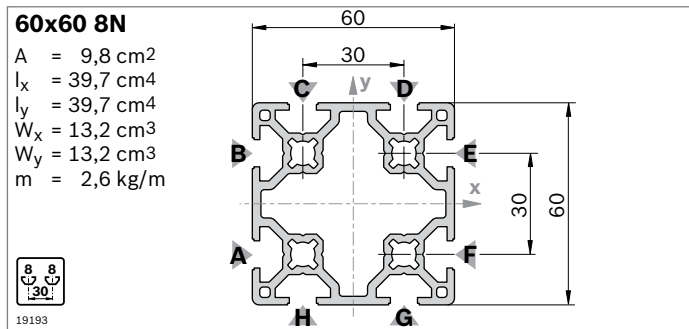
¹⁾ For the specified slots

²⁾ DG_{max} = 45°; L_{min1} / L_{min2} = 150 / 150 mm



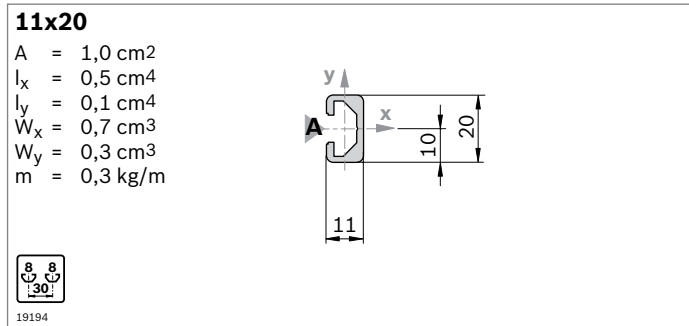
Cover cap	Color	ESD	No.
30x45 (1x)	Signal gray		20 3 842 548 778
30x45 (1x)	Black		20 3 842 548 779

Material: PP



Cover cap	Color	ESD	No.
60x60 8N (1x)	Signal gray		20 3 842 551 046
60x60 8N (1x)	Black		20 3 842 551 047

Material: PP



Cover cap	Color	ESD	No.
11x20 (1x)	Signal gray		20 3 842 551 044
11x20 (1x)	Black		20 3 842 551 045

Material: PP

30x45	L (mm)	No.
1 pcs	50 ... 5600	3 842 992 430 / L
1 pcs M8	50 ... 5600	3 842 992 431 / L
18 pcs	5600	3 842 511 704

Quick & Easy (p. 2-8, see fold-out section)

30x45	No.
Length L (mm)	50 ... 5600
Standard profile finishing (note minimum length, p. 2-16)	M8 / D7.8 (A,C) ¹⁾ / D9,8 (B) ¹⁾ / D11 (A,C) ¹⁾ / DB11 / D17 (B) ¹⁾
Customized profile finishing (L _{max} = 5400 mm)	DI / DIS / MT / MTS / MI / MIS / DG ²⁾

¹⁾ For the specified slots

²⁾ DG_{max} = 45°; L_{min1} / L_{min2} = 378 / 456 mm

60x60 8N	L (mm)	No.
1 pcs	50 ... 6000	3 842 993 033 / L
20 pcs	6070	3 842 535 176

Quick & Easy (p. 2-8, see fold-out section)

60x60 8N	No.
Length L (mm)	50 ... 6000
Standard profile finishing (note minimum length, p. 2-16)	M8 / D7.8 / D11 / DB11
Customized profile finishing (L _{max} = 5400 mm)	DI / DIS / MT / MTS / MI / MIS / DG ²⁾

²⁾ DG_{max} = 45°; L_{min1} / L_{min2} = 404 / 508 mm

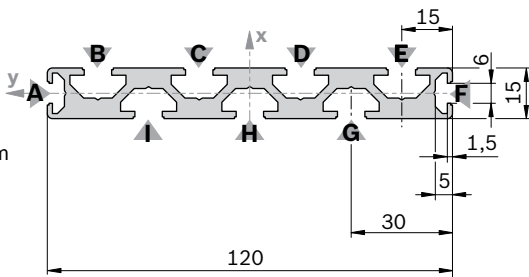
11x20	L (mm)	No.
1 pcs	50 ... 2000	3 842 992 476 / L
10 pcs	2000	3 842 513 581



Quick & Easy (p. 2-8, see fold-out section)

11x20	No.
Length L (mm)	50 ... 2000
Standard profile finishing (note minimum length, p. 2-16)	D7.8 / D11
Customized profile finishing	—


15x120

A = 9,0 cm²
 I_x = 110,4 cm⁴
 I_y = 2,2 cm⁴
 W_x = 18,4 cm³
 W_y = 2,7 cm³
 m = 2,4 kg/m



Cover cap	Color	ESD		No.
15x120 (1x)	Signal gray		20	3 842 548 768
15x120 (1x)	Black		20	3 842 548 769

Material: PP

15x120	L (mm)	No.
1 pcs	50 ... 3000	3 842 993 078 / L
 10 pcs	3000	3 842 537 821

Quick & Easy (p. 2-8, see fold-out section)

15x120	3 842 993 684 / ...
Length L (mm)	80 ... 3000
Standard profile finishing (note minimum length, p. 2-16)	D7,8 (B,C,D,E,G,H,I) ¹⁾ / D11 (B,C,D,E,G,H,I) ¹⁾
Customized profile finishing (L _{max} = 2300 mm)	DI / DIS / MT / MTS / MI / MIS

¹⁾ For the specified slots