

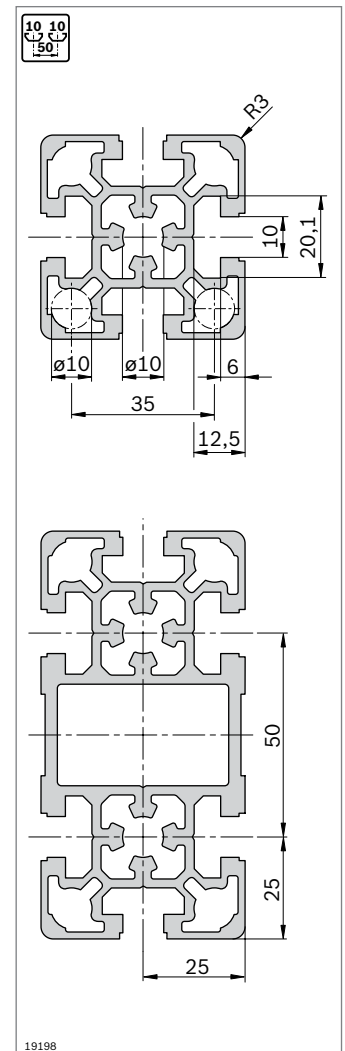
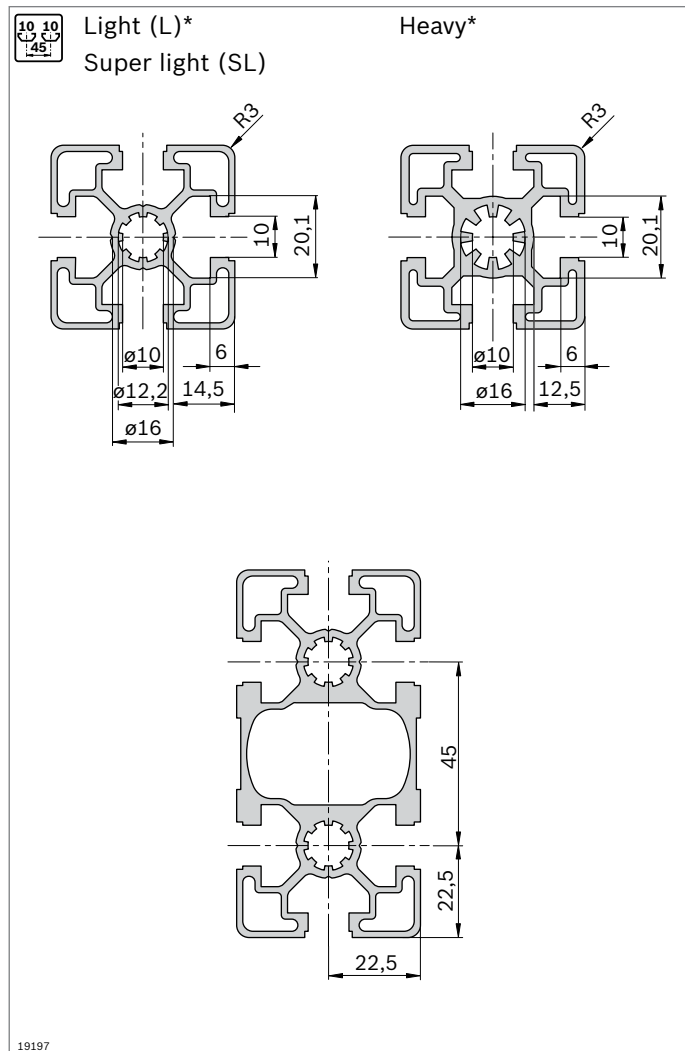
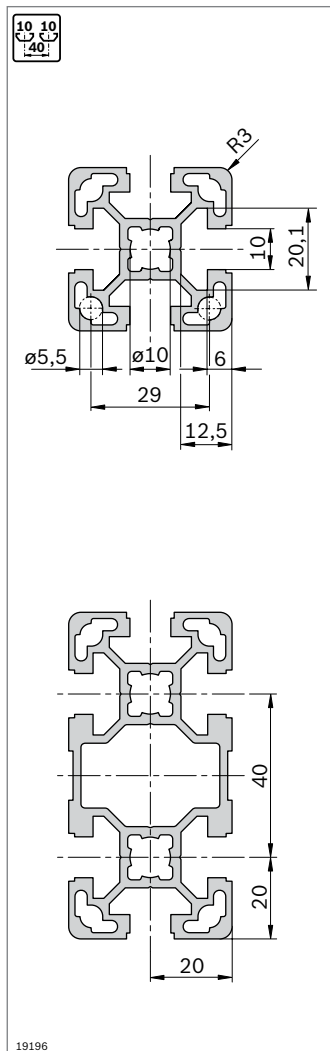
## Strut profiles with 10 mm slot

The Rexroth modular profile system, with 10 mm slots in the modular dimensions 40 mm, 45 mm, 50 mm, and 60 mm, covers all conventional profile dimensions on the world market.

45 mm, and 50 mm, e.g. 50x50L) combine high strengths with minimum use of materials. This gives you a cost-effective and stable solution for the construction of tables, protection devices or frames, for instance.

Thanks to their computer-optimized design, the strut profiles L with 10 mm slot (modular dimensions 40 mm,

### Slot, modular dimensions, central bore



\*) The following L-profiles have a "heavy" slot geometry:  
45x90x90L; 45x90x90L 4N; 90x90L; 90x90L 4N; 90x90L 4NVS; 90x180L

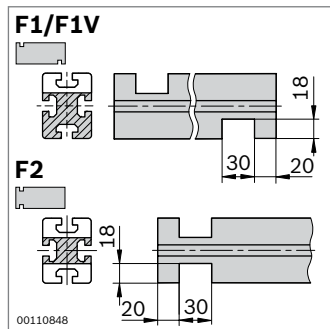
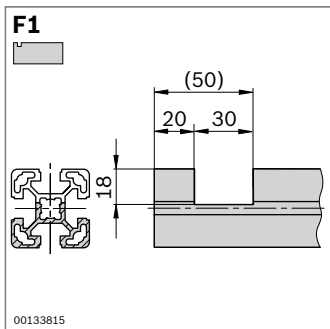
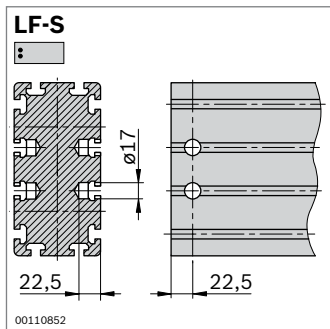
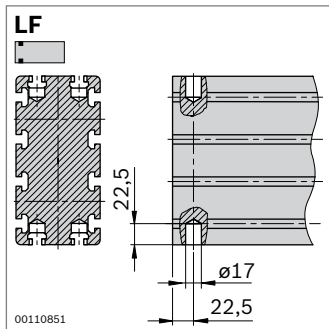
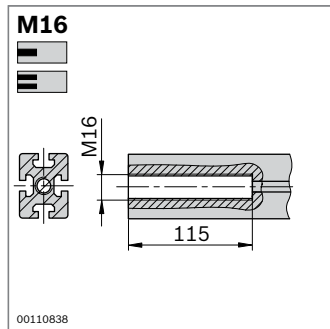
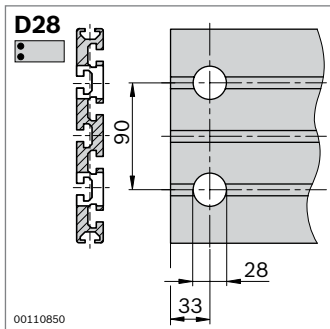
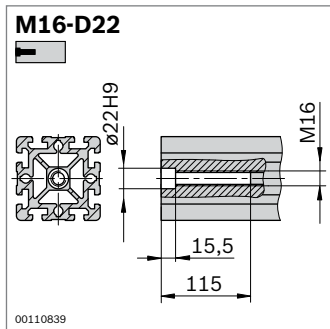
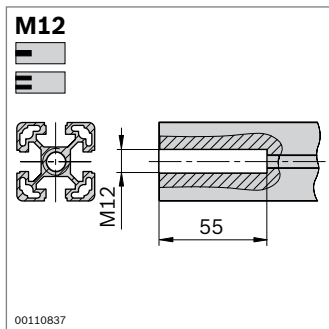
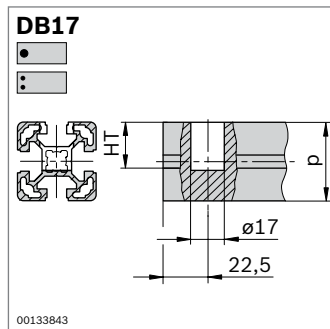
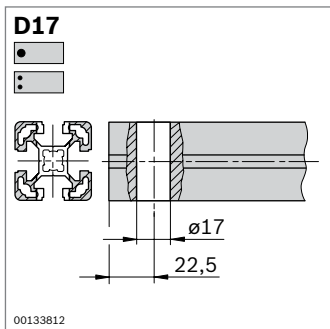
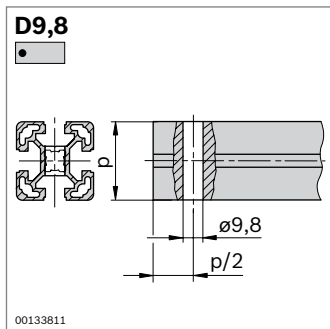
**Minimum profile lengths (mm) for Quick & Easy standard profile finishing on one or both sides**

	-	M12	M16	D9.8	D17/DB17	F1
-	50	60	120	50	60	60
M12	60	110	180	90	90	110
M16	120	180	240	150	170	170
D9.8	50	90	150	80	70	90
D17/DB17	60	90	170	70	80	90
F1	60	110	170	90	90	80

For applications with high loads, we recommend especially stable profiles with 10 mm slots, e.g. for heavy work tables, fixtures, machine frames, transport shuttles, protective enclosures, and handling systems.

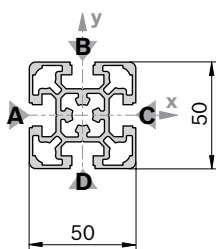
Due to its very sturdy design, this slot allows maximum strength connections.

**Profile finishing**



**50x50L**

A = 9,3 cm<sup>2</sup>  
 I<sub>x</sub> = 21,2 cm<sup>4</sup>  
 I<sub>y</sub> = 21,2 cm<sup>4</sup>  
 W<sub>x</sub> = 8,5 cm<sup>3</sup>  
 W<sub>y</sub> = 8,5 cm<sup>3</sup>  
 m = 2,5 kg/m



19454

Cover cap	Color	ESD	No.
50x50 (1x)	Signal gray		3 842 548 820
50x50 (1x)	Black		3 842 548 821

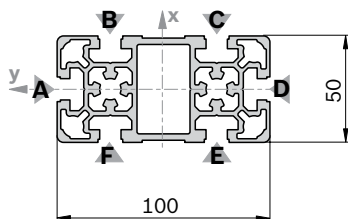
Material: PP

Cover cap with hole	Color	ESD	No.
50x50 (1x)	Signal gray		3 842 548 822
50x50 (1x)	Black		3 842 548 823

Material: PP

**50x100L**

A = 17,2 cm<sup>2</sup>  
 I<sub>x</sub> = 162,8 cm<sup>4</sup>  
 I<sub>y</sub> = 42,6 cm<sup>4</sup>  
 W<sub>x</sub> = 32,6 cm<sup>3</sup>  
 W<sub>y</sub> = 17,0 cm<sup>3</sup>  
 m = 4,6 kg/m



19455

Cover cap	Color	ESD	No.
50x50 (2x)	Signal gray		3 842 548 820
50x50 (2x)	Black		3 842 548 821

Material: PP

Cover cap with hole	Color	ESD	No.
50x50 (2x)	Signal gray		3 842 548 822
50x50 (2x)	Black		3 842 548 823

Material: PP

50x50L	L (mm)	No.
1 pcs	50 ... 6000	3 842 993 156 / L
1 pcs M12	60 ... 6000	3 842 993 157 / L
1 pcs M12 M12	110 ... 6000	3 842 993 158 / L
1 pcs M12 D17	90 ... 6000	3 842 993 159 / L
1 pcs D9,8 D9,8	80 ... 6000	3 842 993 164 / L
1 pcs D17	60 ... 6000	3 842 993 160 / L
1 pcs D17 D17	80 ... 6000	3 842 993 161 / L
1 pcs D17 D17V	80 ... 6000	3 842 993 162 / L
20 pcs	6070	3 842 529 351

**Quick & Easy** (p. 2-8, see fold-out section)

50x50L	3 842 993 665 / ...
Length L (mm)	50 ... 6000
Standard profile finishing (note minimum length, p. 2-25)	M12 / M16 / D9.8 / D17 / DB17
Customized profile finishing (L <sub>max</sub> = 5400 mm)	DI / DIS / MT / MTS / MI / MIS / DG <sup>1)</sup>

<sup>1)</sup> DG<sub>max</sub> = 45°; L<sub>min1</sub> / L<sub>min2</sub> = 387 / 474 mm

50x100L	L (mm)	No.
1 pcs	50 ... 6000	3 842 993 163 / L
1 pcs M12	60 ... 6000	3 842 993 165 / L
1 pcs M12 M12	110 ... 6000	3 842 993 166 / L
1 pcs D17 D17	90 ... 6000	3 842 993 167 / L
1 pcs D17 D17V	80 ... 6000	3 842 993 168 / L
1 pcs D17V	60 ... 6000	3 842 993 169 / L
1 pcs D17V D17V	90 ... 6000	3 842 993 170 / L
10 pcs	6070	3 842 537 825

Profile finishing: M12: in all core holes  
 D17: in slots B/F, C/E  
 D17V: in slot A/D

**Quick & Easy** (p. 2-8, see fold-out section)

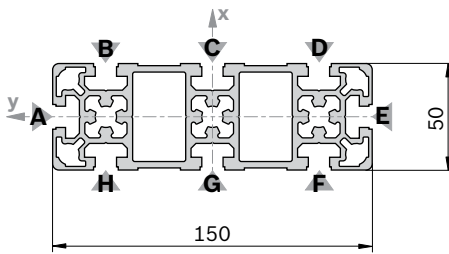
50x100L	3 842 993 663 / ...
Length L (mm)	50 ... 6000
Standard profile finishing (note minimum length, p. 2-25)	M12 / M16 / D9,8 / D17 / DB17 / F1 (A, D) <sup>1)</sup>
Customized profile finishing (L <sub>max</sub> = 5400 mm)	DI / DIS / MT / MTS / MI / MIS / DG <sup>2)</sup>

<sup>1)</sup> For the specified slots

<sup>2)</sup> DG<sub>max</sub> = 45°; L<sub>min1</sub> / L<sub>min2</sub> = 474 / 648 mm

**50x150L**

A = 25,8 cm<sup>2</sup>  
 $I_x = 540,0 \text{ cm}^4$   
 $I_y = 64,2 \text{ cm}^4$   
 $W_x = 72,0 \text{ cm}^3$   
 $W_y = 25,7 \text{ cm}^3$   
 m = 6,9 kg/m



19456

Cover cap	Color	ESD	No.
50x150 (1x)	Signal gray		20 <b>3 842 548 818</b>
50x150 (1x)	Black		20 <b>3 842 548 819</b>

Material: PP

50x150L	L (mm)	No.
1 pcs	50 ... 6000	<b>3 842 993 196 / L</b>
1 pcs M12	60 ... 6000	<b>3 842 993 194 / L</b>
1 pcs M12  M12	110 ... 6000	<b>3 842 993 199 / L</b>
1 pcs D17  D17	80 ... 6000	<b>3 842 993 200 / L</b>
1 pcs D17V  D17V	90 ... 6000	<b>3 842 993 228 / L</b>
4 pcs	6070	<b>3 842 537 826</b>

Profile finishing: M12: in all core holes  
 D17: in slots B/H, C/G, D/F  
 D17V: in slots A/E

**Quick & Easy** (p. 2-8, see fold-out section)

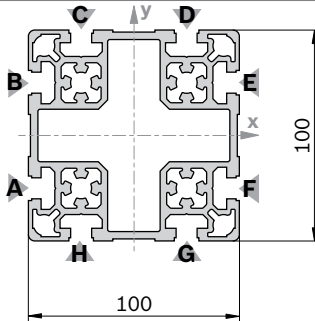
50x150L	3 842 993 664 / ...
Length L (mm)	80 ... 6000
Standard profile finishing (note minimum length, p. 2-25)	M12 / M16 / D9.8 (B,C,D,F,G,H) <sup>1)</sup> / D17 (B,C,D,F,G,H) <sup>1)</sup> / DB17 / F1 (A,E) <sup>1)</sup>
Customized profile finishing (L <sub>max</sub> = 5400 mm)	DI / DIS / MT / MTS / MI / MIS / DG <sup>2)</sup>

<sup>1)</sup> For the specified slots

<sup>2)</sup> DG<sub>max</sub> = 45°; L<sub>min1</sub> / L<sub>min2</sub> = 450 / 600 mm

**100x100L**

A = 29,9 cm<sup>2</sup>  
 $I_x = 318,3 \text{ cm}^4$   
 $I_y = 318,3 \text{ cm}^4$   
 $W_x = 63,7 \text{ cm}^3$   
 $W_y = 63,7 \text{ cm}^3$   
 m = 8,1 kg/m



19457

Cover cap	Color	ESD	No.
100x100 (1x)	Signal gray		20 <b>3 842 548 824</b>
100x100 (1x)	Black		20 <b>3 842 548 825</b>

Material: PP

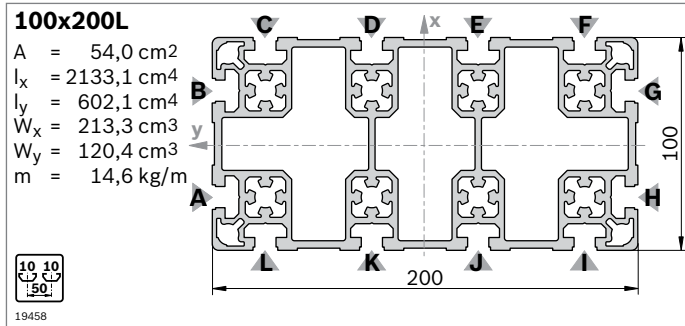
100x100L	L (mm)	No.
1 pcs	50 ... 6000	<b>3 842 993 171 / L</b>
1 pcs M12	60 ... 6000	<b>3 842 993 172 / L</b>
1 pcs M12  M12	110 ... 6000	<b>3 842 993 173 / L</b>
1 pcs M12  D17	90 ... 6000	<b>3 842 993 174 / L</b>
1 pcs D17	60 ... 6000	<b>3 842 993 175 / L</b>
1 pcs D17  D17	80 ... 6000	<b>3 842 993 176 / L</b>
1 pcs D17  D17V	80 ... 6000	<b>3 842 993 177 / L</b>
6 pcs	6070	<b>3 842 529 355</b>



Profile finishing: M12: in all core holes  
 D17: in slots C/H, D/G  
 D17V: in slots A/F, B/E

**Quick & Easy** (p. 2-8, see fold-out section)









100x100L	3 842 993 685 / ...
Length L (mm)	50 ... 6000
Standard profile finishing (note minimum length, p. 2-25)	M12 / M16 / D9,8 / D17 / DB17 / F1
Customized profile finishing (L <sub>max</sub> = 5400 mm)	DI / DIS / MT / MTS / MI / MIS / DG <sup>1)</sup>

<sup>1)</sup> DG<sub>max</sub> = 45°; L<sub>min1</sub> / L<sub>min2</sub> = 474 / 648 mm



Cover cap	Color	ESD		No.
<b>100x100</b> (2x)	Signal gray		20	<b>3 842 548 824</b>
<b>100x100</b> (2x)	Black		20	<b>3 842 548 825</b>

Material: PP

<b>100x200L</b>		L (mm)	No.
1 pcs		50 ... 6000	<b>3 842 993 178 / L</b>
1 pcs	M12 	60 ... 6000	<b>3 842 993 179 / L</b>
1 pcs	M12  M12	110 ... 6000	<b>3 842 993 180 / L</b>
1 pcs	M12  D17	90 ... 6000	<b>3 842 993 181 / L</b>
1 pcs	D17 	60 ... 6000	<b>3 842 993 182 / L</b>
1 pcs	D17  D17	80 ... 6000	<b>3 842 993 183 / L</b>
1 pcs	D17V  D17V	90 ... 6000	<b>3 842 993 227 / L</b>
	3 pcs	6070	<b>3 842 529 357</b>

Profile finishing: M12: in all core holes  
 D17: in slots C/L, D/K, E/J, F/I  
 D17V: in slots A/H, B/G

**Quick & Easy** (p. 2-8, see fold-out section)

<b>100x200L</b>	<b>3 842 993 687 / ...</b>
Length L (mm)	50 ... 6000
Standard profile finishing (note minimum length, p. 2-25)	M12 / M16 / D9.8 (C,D,E,F,I,J,K,L) <sup>1)</sup> / D17 (C,D,E,F,I,J,K,L) <sup>1)</sup> / DB17 / F1 (A,G) <sup>1)</sup>
Customized profile finishing (L <sub>max</sub> = 5400 mm)	DI / DIS / MT / MTS / MI / MIS / DG <sup>2)</sup>

<sup>1)</sup> For the specified slots

<sup>2)</sup> DG<sub>max</sub> = 30°; L<sub>min</sub> = 416 / 532 mm