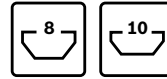


Door lock “compact” for swing doors

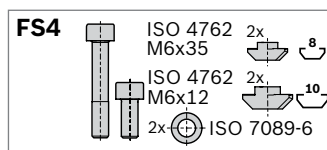
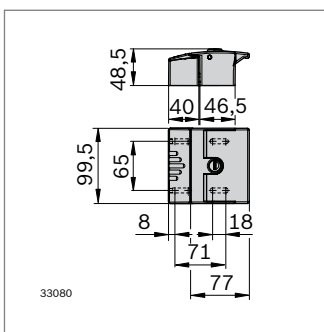


- ▶ Opening to the right and left
- ▶ For numerous profile combinations
- ▶ “Standard locking” variant with random key selection (each lock has a different key)
- ▶ “Uniform locking” variant always has the same key
- ▶ Covered fastening screws
- ▶ Installation of an emergency opening mechanism for unlocking from inside in emergency possible (Gap measurements according to assembly instructions 3 842 554 192)
- ▶ Without profile finishing

Optional accessories:

- ▶ Adapter plate for connecting to a WG40 or WG30 woven wire grille profile (p. 10-9)
- ▶ Emergency opening mechanism (p. 8-18)

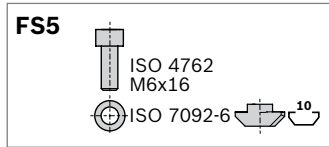
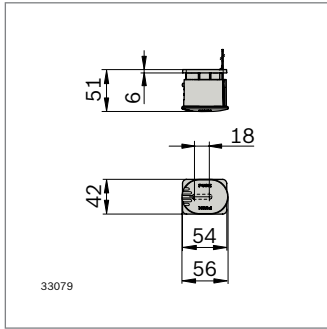
P1	P2	P2	P2	P2	P2
30	WG30/40	30	–	–	–
40	WG30/40	30	40	–	–
45	WG30/40	30	40	45	–
50	WG30/40	30	40	45	50
60	WG30/40	–	40	45	50



Door lock “compact” for swing doors	No.	FS
Standard locking	3 842 553 640	2xFS4
Uniform locking	3 842 553 639	2xFS4

Material: Housing: diecast aluminum
Cover: PP; signal gray RAL 7004 fastening material: steel; galvanized

Scope of delivery: incl. 2 keys, fastening material

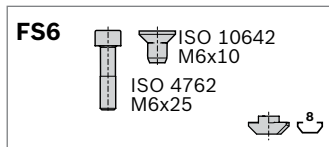
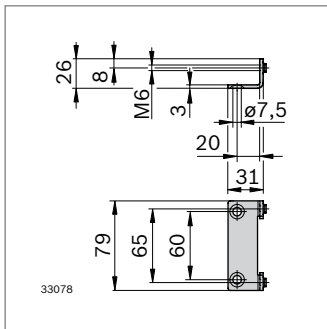


► For emergency opening of the door lock “compact” from the inside in its locked state

Emergency unlocking	No.	FS
Compact	3 842 554 134	FS5

Material: steel; galvanized
Pushbutton: PA6; red RAL 3020 fastening material: steel; galvanized

Scope of delivery: Incl. fastening material



Adapter plate	No.	FS
EcoSafe	3 842 554 136	2xFS6

Material: steel; galvanized
Fastening material: steel; galvanized

Scope of delivery: Incl. fastening material