

Metal bracket Supporting bracket

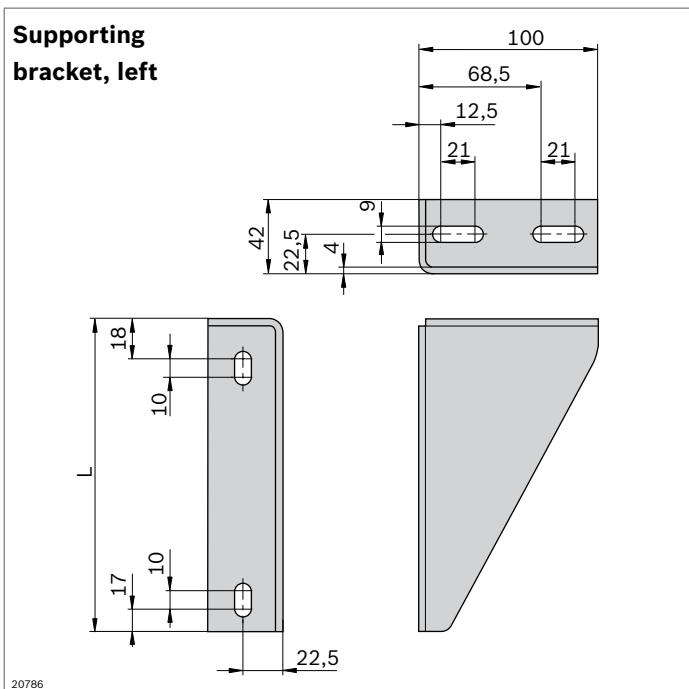
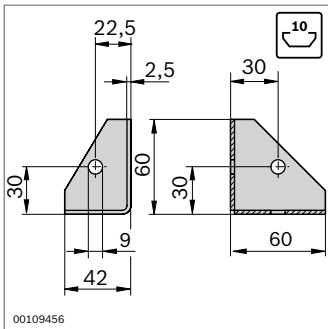


Metal bracket

- ▶ Metal bracket for right-angled profile connections
- ▶ Surface elements can be screwed into the stiffening fin hole
- ▶ Profile finishing: not required

Supporting bracket

- ▶ Supporting bracket for fastening surface elements to profiles, e.g. for shelves
- ▶ Profile finishing: not required



Metal bracket	ESD	No.
	20	3 842 146 813

Material: sheet steel; galvanized

Required accessories:

- ▶ T-bolt M8x20, 10 mm slot, **3 842 528 715** (p. 3-6)
- ▶ Flange nut M8, **3 842 345 081** (p. 3-6)

Supporting bracket	L (mm)	ESD	No.	FS
left	255	20	3 842 536 119	2xFS1
	335	20	3 842 536 121	2xFS1
	415	20	3 842 536 123	2xFS1
	495	20	3 842 536 125	2xFS1
right	255	20	3 842 536 120	2xFS1
	335	20	3 842 536 122	2xFS1
	415	20	3 842 536 124	2xFS1
	495	20	3 842 536 126	2xFS1

Material: sheet steel; powder-coated, RAL 7037

Fastening material: steel; galvanized

Scope of delivery: incl. fastening material (FS)

