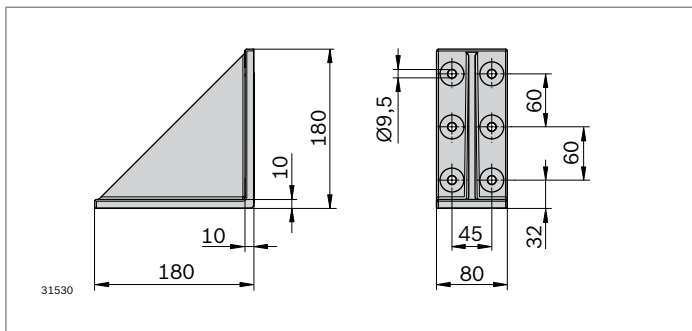


Heavy-duty connector 180x180 dynamic load



- ▶ Heavy-duty connector for reliable absorption of high forces
- ▶ Can be used for both static and dynamic forces
- ▶ Connection possible in any position
- ▶ Profile finishing: not required
- ▶ Calculation program for static and dynamic forces included in MTpro planning software
- ▶ Focus profile: 90x90, 90x180, 90x360

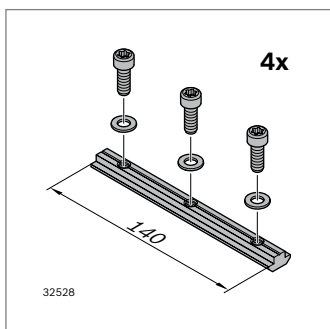
Required accessories:
Mounting kit



180/180	Slot	ESD No.
	10	3 842 555 616

Material: Galvanized cast iron
Scope of delivery: Bracket

Type				
180/180	30000 N	5600 Nm	5600 Nm	1400 Nm



Mounting kit

- ▶ For connecting a heavy-duty angle to a profile
- ▶ Set consists of 4 sliding blocks and 12 screws with washers

Mounting kit	Slot	M	ESD		No.
	10	8		Set	3 842 548 955

Material: Screws: steel; galvanized
Sliding block: steel; galvanized
Scope of delivery: 4 x sliding blocks, 12 x washers,
12 x screws M8 10.9 microencapsulated

Slot	
10 (M8)	6000 ... 18000 N