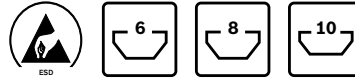
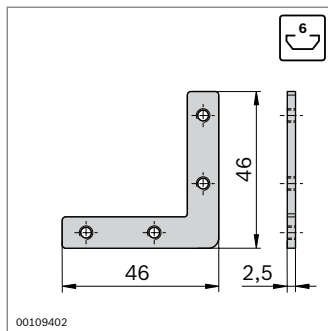


### Miter bracket

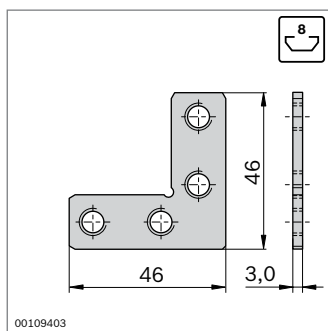


- For making right-angled, miter-cut profile connections
- Profile finishing with open profile slots: not required
- Profile finishing with closed profile slots: through-holes for screwdriver



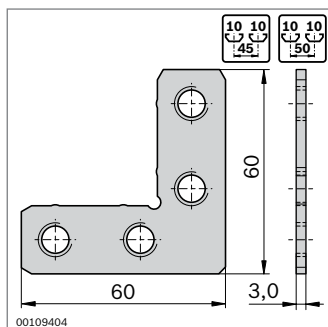
#### FS1

DIN EN ISO 4027  
M4x5



#### FS2

DIN EN ISO 4026  
M8x8



#### FS3

DIN EN ISO 4026  
M10x10

Miter bracket	Slot	ESD	No.	FS
	6		20	3 842 535 626 4xFS1

Material: steel, stainless  
Fastening material: steel; galvanized  
Scope of delivery: incl. fastening material (FS)

Miter bracket	Slot	ESD	No.	FS
	8		20	3 842 535 627 4xFS2

Material: steel; galvanized  
Fastening material: steel; galvanized  
Scope of delivery: incl. fastening material (FS)

Miter bracket	Slot	ESD	No.	FS
	10		20	3 842 535 625 4xFS3

Material: steel; galvanized  
Fastening material: steel; galvanized  
Scope of delivery: incl. fastening material (FS)