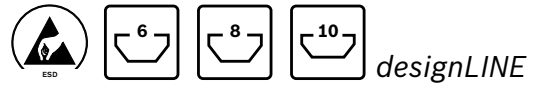
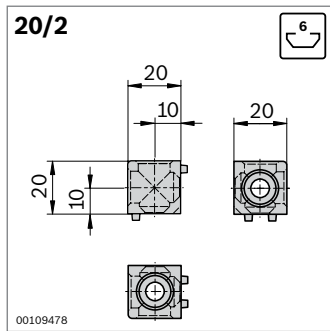


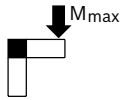
Cubic connector

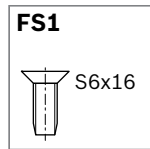








- ▶ For torsion-resistant corner connection of profiles with equal cross-sections
- ▶ *designLINE* version with special silver paint (RAL 9006) for an attractive, high-quality design
- ▶ Cover caps to cover the openings
- ▶ Screw fitting on profile with self-tapping screws
- ▶ Profile finishing: not required

Technical data (p. 19-8)



Type	 M _{max}
20/2	18 Nm

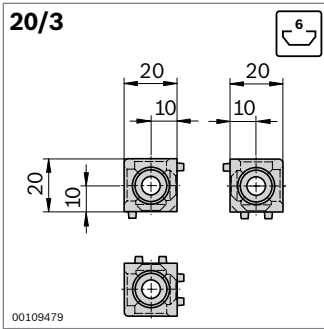


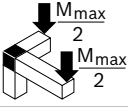
Cubic connector 20/2	Slot	ESD		No.	FS
Set (standard), signal gray	6	 *	1	3 842 549 858	2xFS1
Set <i>designLINE</i> , signal gray	6	 *	1	3 842 549 859	2xFS1
Cubic connector	6		20	3 842 523 875	
Cover cap	signal gray (PP)		100	3 842 548 700	
D12	black (PP)		100	3 842 548 704	
Countersunk screw S6x16	6		100	3 842 517 132	

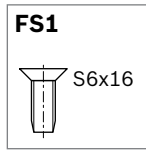
Material: Cubic connector: Die-cast aluminum
designLINE cubic connector: painted (RAL 9006)
 Fastening material: steel; galvanized

Scope of delivery: set incl. fastening material (FS), caps

Cubic connector creates conductive connection, but the cover caps included in the set are not ESD-compatible.



Type	
20/3	23 Nm

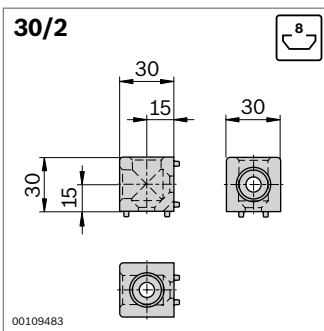


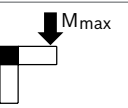
Cubic connector 20/3	Slot	ESD	No.	FS
Set (standard), signal gray	6		1	3 842 549 860 3xFS1
Set <i>designLINE</i> , signal gray	6		1	3 842 549 861 3xFS1
Cubic connector	6		20	3 842 523 872
Cover cap	signal gray (PP)		100	3 842 548 700
D12	black (PP)		100	3 842 548 704
Countersunk screw S6x16	6		100	3 842 517 132

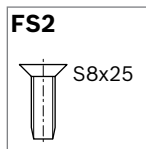
Material: Cubic connector: Die-cast aluminum
designLINE cubic connector: painted (RAL 9006)
 Fastening material: steel; galvanized

Scope of delivery: set incl. fastening material (FS), caps

Cubic connector creates conductive connection, but the cover caps included in the set are not ESD-compatible.



Type	
30/2	80 Nm

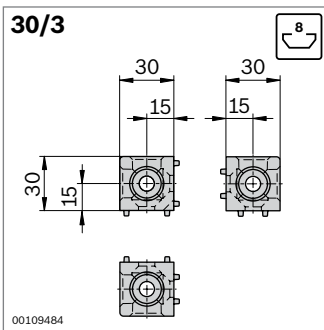


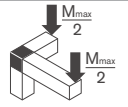
Cubic connector 30/2	Slot	ESD	No.	FS
Set (standard), signal gray	8		1	3 842 549 862 2xFS2
Set <i>designLINE</i> , signal gray	8		1	3 842 549 863 2xFS2
Cubic connector	8		20	3 842 523 876
Cover cap	signal gray (PP)		100	3 842 548 701
D18	black (PP)		100	3 842 548 705
Countersunk screw S8x25	8		100	3 842 517 543

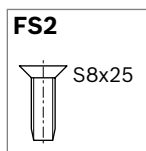
Material: Cubic connector: Die-cast aluminum
designLINE cubic connector: painted (RAL 9006)
 Fastening material: steel; galvanized

Scope of delivery: set incl. fastening material (FS), caps

Cubic connector creates conductive connection, but the cover caps included in the set are not ESD-compatible.



Type	
30/3	85 Nm

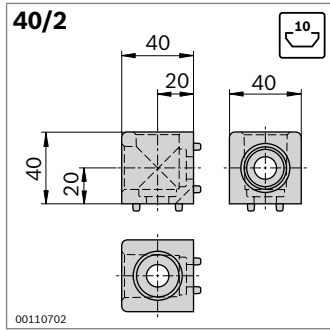


Cubic connector 30/3	Slot	ESD	No.	FS
Set (standard), signal gray	8		1	3 842 549 864 3xFS2
Set <i>designLINE</i> , signal gray	8		1	3 842 549 865 3xFS2
Cubic connector	8		20	3 842 523 873
Cover cap	signal gray (PP)		100	3 842 548 701
D18	black (PP)		100	3 842 548 705
Countersunk screw S8x25	8		100	3 842 517 543

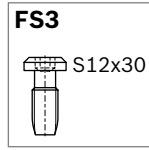
Material: Cubic connector: Die-cast aluminum
designLINE cubic connector: painted (RAL 9006)
 Fastening material: steel; galvanized

Scope of delivery: set incl. fastening material (FS), caps

Cubic connector creates conductive connection, but the cover caps included in the set are not ESD-compatible.



Type	
40/2	60 Nm

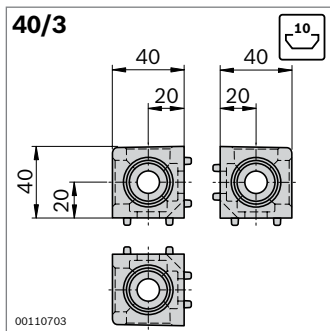


Cubic connector 40/2	Slot	ESD	No.	FS	
Set (standard), signal gray	10	⚡*	1	3 842 549 866	2xFS3
Set <i>designLINE</i> , signal gray	10	⚡*	1	3 842 549 867	2xFS3
Cubic connector	10	⚡	20	3 842 529 010	
Cover cap	signal gray (PP)		100	3 842 548 702	
D24	black (PP)	⚡	100	3 842 548 706	
Screw S12x30	10	⚡	100	3 842 530 236	

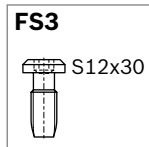
Material: Cubic connector: Die-cast aluminum
designLINE cubic connector: painted (RAL 9006)
 Fastening material: steel; galvanized

Scope of delivery: set incl. fastening material (FS), caps

Cubic connector creates conductive connection, but the cover caps included in the set are not ESD-compatible.



Type	
40/3	70 Nm

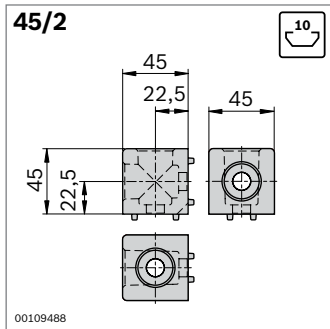


Cubic connector 40/3	Slot	ESD	No.	FS	
Set (standard), signal gray	10	⚡*	1	3 842 549 868	3xFS3
Set <i>designLINE</i> , signal gray	10	⚡*	1	3 842 549 869	3xFS3
Cubic connector	10	⚡	20	3 842 529 011	
Cover cap	signal gray (PP)		100	3 842 548 702	
D24	black (PP)	⚡	100	3 842 548 706	
Screw S12x30	10	⚡	100	3 842 530 236	

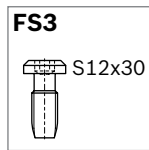
Material: Cubic connector: Die-cast aluminum
designLINE cubic connector: painted (RAL 9006)
 Fastening material: steel; galvanized

Scope of delivery: set incl. fastening material (FS), caps

Cubic connector creates conductive connection, but the cover caps included in the set are not ESD-compatible.



Type	
45/2	45x45L 150 Nm
	45x45 200 Nm

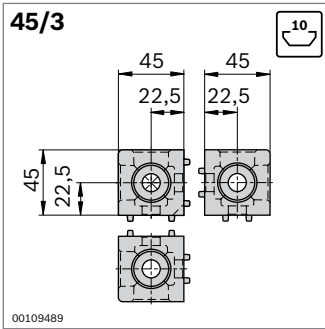


Cubic connector 45/2	Slot	ESD	No.	FS	
Set (standard), signal gray	10	⚡*	1	3 842 549 870	2xFS3
Set <i>designLINE</i> , signal gray	10	⚡*	1	3 842 549 871	2xFS3
Cubic connector	10	⚡	20	3 842 523 877	
Cover cap	signal gray (PP)		100	3 842 548 702	
D24	black (PP)	⚡	100	3 842 548 706	
Screw S12x30	10	⚡	100	3 842 530 236	

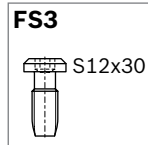
Material: Cubic connector: Die-cast aluminum
designLINE cubic connector: painted (RAL 9006)
 Fastening material: steel; galvanized

Scope of delivery: set incl. fastening material (FS), caps

Cubic connector creates conductive connection, but the cover caps included in the set are not ESD-compatible.



Type		
45/3	45x45L	170 Nm
	45x45	240 Nm

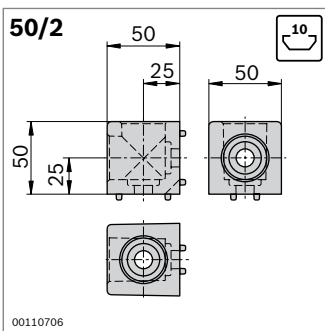


Cubic connector 45/3	Slot	ESD		No.	FS
Set (standard), signal gray	10		*	1	3 842 549 872 3xFS3
Set <i>designLINE</i> , signal gray	10		*	1	3 842 549 873 3xFS3
Cubic connector	10			20	3 842 523 874
Cover cap	signal gray (PP)			100	3 842 548 702
D24	black (PP)			100	3 842 548 706
Screw S12x30	10			100	3 842 530 236

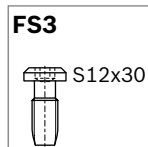
Material: Cubic connector: Die-cast aluminum
designLINE cubic connector: painted (RAL 9006)
 Fastening material: steel; galvanized

Scope of delivery: set incl. fastening material (FS), caps

Cubic connector creates conductive connection, but the cover caps included in the set are not ESD-compatible.



Type		
50/2		120 Nm

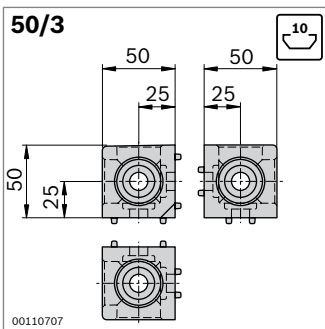


Cubic connector 50/2	Slot	ESD		No.	FS
Set (standard), signal gray	10		*	1	3 842 549 874 2xFS3
Cubic connector	10			20	3 842 529 012
Cover cap	signal gray (PP)			100	3 842 548 703
D30	black (PP)			100	3 842 548 707
Screw S12x30	10			100	3 842 530 236

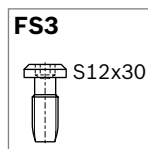
Material: Cubic connector: Die-cast aluminum
 Fastening material: steel; galvanized

Scope of delivery: set incl. fastening material (FS), caps

Cubic connector creates conductive connection, but the cover caps included in the set are not ESD-compatible.



Type		
50/3		140 Nm



Cubic connector 50/3	Slot	ESD		No.	FS
Set (standard), signal gray	10		*	1	3 842 549 876 3xFS3
Cubic connector	10			20	3 842 529 013
Cover cap	signal gray (PP)			100	3 842 548 703
D30	black (PP)			100	3 842 548 707
Screw S12x30	10			100	3 842 530 236

Material: Cubic connector: Die-cast aluminum
 Fastening material: steel; galvanized

Scope of delivery: set incl. fastening material (FS), caps

Cubic connector creates conductive connection, but the cover caps included in the set are not ESD-compatible.