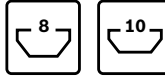
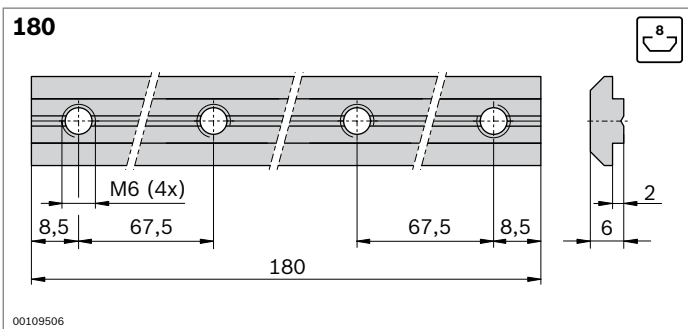
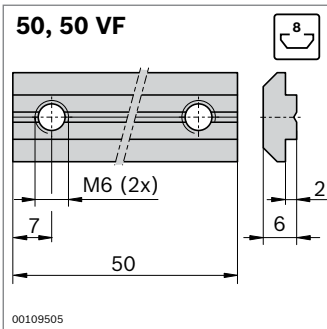


Profile connector



- ▶ Profile connector for the end-face connection of any profiles
- ▶ For an especially strong connection: one profile connector per slot
- ▶ Profile finishing: not required



Profile connector	⌚ (Nm)	Slot	📦	No.	FS
50 VF	10	8	10	3 842 536 787	2xFS2
50	8,5	8	1	3 842 518 427	2xFS1

Material: galvanized steel, fastening material: steel;
galvanized

Scope of delivery: incl. fastening material (FS)

FS1



FS2

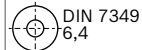
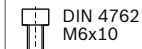


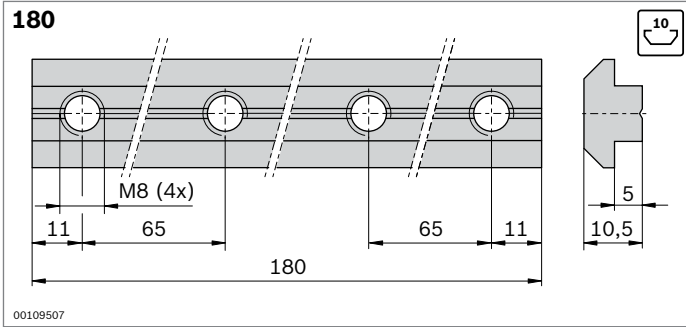
Profile connector	⌚ (Nm)	Slot	No.	FS
180	10	8	3 842 521 216	4xFS3

Material: galvanized steel, fastening material: steel;
galvanized

Scope of delivery: incl. fastening material (FS)

FS3

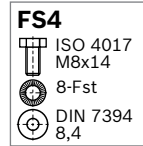




Profile connector	⌚ (Nm)	Slot	No.	FS
180	25	10	3 842 528 746	4xFS4

Material: galvanized steel, fastening material: steel; galvanized

Scope of delivery: incl. fastening material (FS)



Connection kit	⌚ (Nm)	Slot	Set	No.	FS
	18	10	1	3 842 529 881	4xFS5

Material: galvanized steel, fastening material: steel; galvanized

Scope of delivery: Set (2 pieces) incl. fastening material

