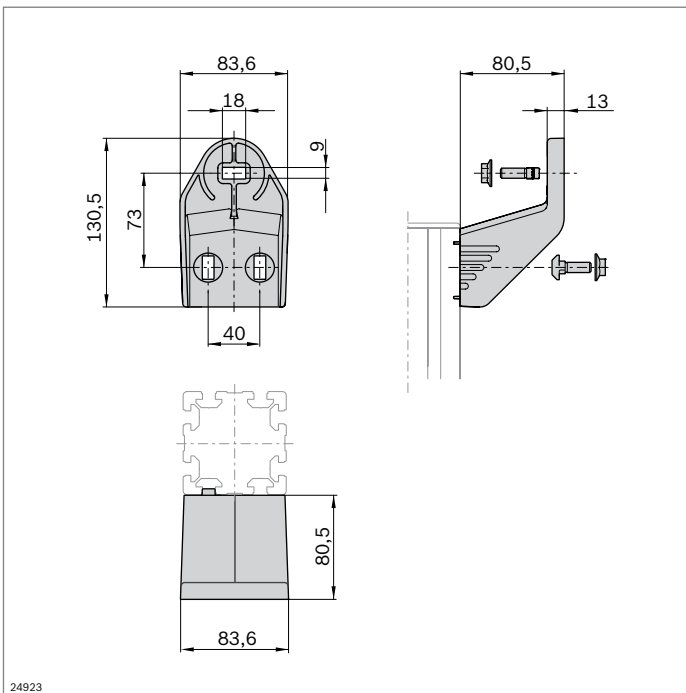


24922

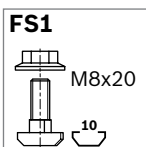
Supporting bracket AL, lateral



- ▶ Supporting bracket for connecting two profiles with defined spacing (approx. 2-3 m)
- ▶ Profile finishing: not required
- ▶ Centering lugs make centering the supporting brackets in the slot easy
- ▶ If the centering lugs are removed, the supporting bracket can also be used for upward and downward sloping sections (up to approx. 45° depending on the return chain)
- ▶ Designed for attachment to a vertical 80x80 strut profile



24923



Supporting bracket VFplus lateral AL	No.	FS
Set	3 842 547 461	6xFS1

Material: Holder: diecast aluminum; powder-coated (RAL 9006)
 Fastening material: steel; galvanized
 Scope of delivery: incl. fastening material (FS)