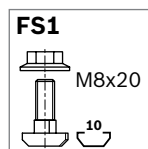
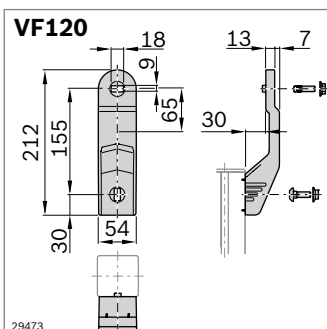
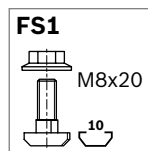
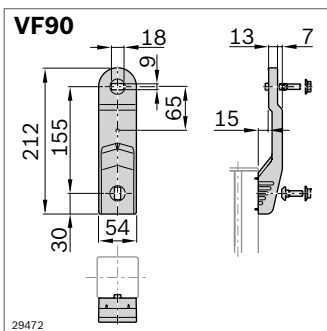
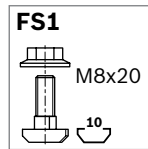
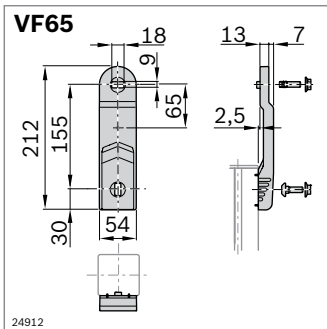


## Holder AL



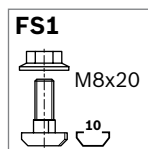
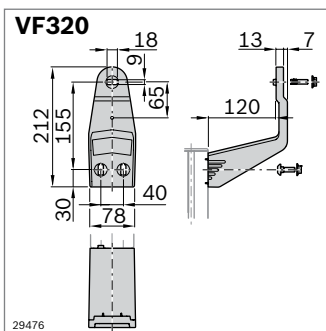
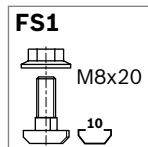
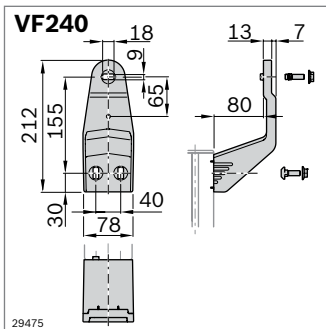
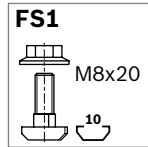
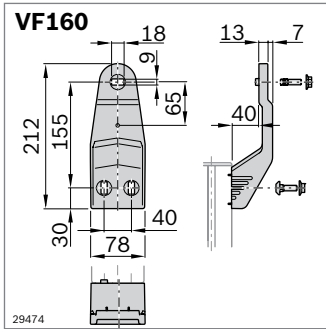
- ▶ For connecting profiles at right-angles to each other and with defined spacing, e.g. for floor supports made of 80x80L or 60x60 profiles
- ▶ Longitudinal connection possible in all profiles with 10 mm slot
- ▶ Transverse connection possible with 40 mm slot spacing
- ▶ Profile finishing: not required



Holder	b (mm)	A (mm)	No.	FS
<b>VFplus 65</b>	65	2.5	Set <b>3 842 546 625</b>	8xFS1
Material: Holder: diecast aluminum; powder-coated (RAL 9006) Fastening material: steel; galvanized				
Scope of delivery: 2 x holder, fastening material (FS)				

Holder	b (mm)	A (mm)	No.	FS
<b>VFplus 90</b>	90	15	Set <b>3 842 546 626</b>	8xFS1
Material: Holder: diecast aluminum; powder-coated (RAL 9006) Fastening material: steel; galvanized				
Scope of delivery: 2 x holder, fastening material (FS)				

Holder	b (mm)	A (mm)	No.	FS
<b>VFplus 120</b>	120	30	Set <b>3 842 546 627</b>	8xFS1
Material: Holder: diecast aluminum; powder-coated (RAL 9006) Fastening material: steel; galvanized				
Scope of delivery: 2 x holder, fastening material (FS)				



Holder	b (mm)	A (mm)		No.	FS
<b>VFplus 160</b>	160	40	Set	<b>3 842 546 628</b>	8xFS1

Material: Holder: diecast aluminum; powder-coated (RAL 9006) Fastening material: steel; galvanized  
 Scope of delivery: 2 x holder, fastening material (FS)

Holder	b (mm)	A (mm)		No.	FS
<b>VFplus 240</b>	240	80	Set	<b>3 842 546 629</b>	8xFS1

Material: Holder: diecast aluminum; powder-coated (RAL 9006) Fastening material: steel; galvanized  
 Scope of delivery: 2 x holder, fastening material (FS)

Holder	b (mm)	A (mm)		No.	FS
<b>VFplus 320</b>	320	120	Set	<b>3 842 546 630</b>	8xFS1

Material: Holder: diecast aluminum; powder-coated (RAL 9006)  
 Fastening material: steel; galvanized  
 Scope of delivery: 2 x holder, fastening material (FS)